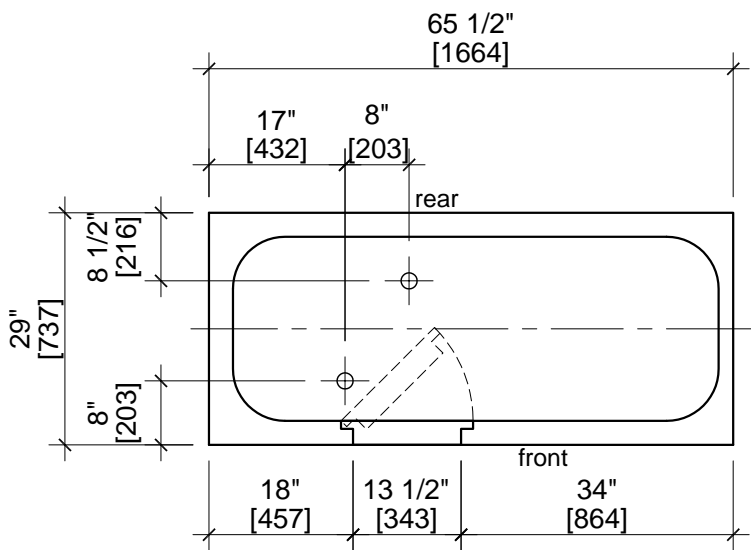
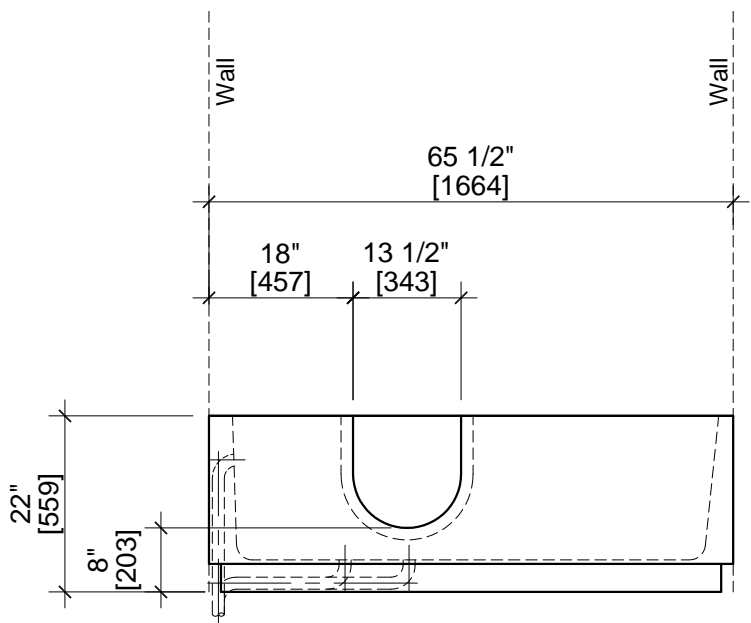


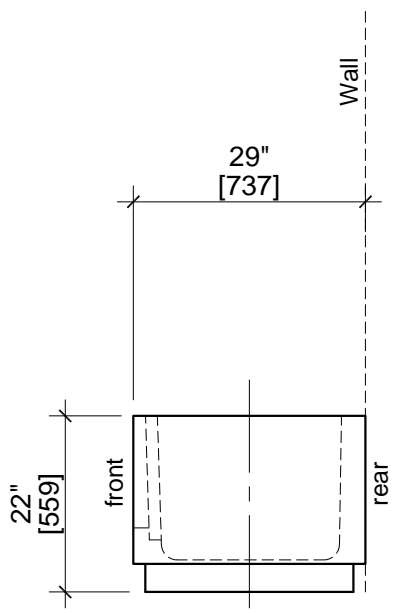
Paradise Bath
5 1/2'



1 Plan
SCALE: 1/2"=1'-0"



2 Front
SCALE: 1/2"=1'-0"



3 Side
SCALE: 1/2"=1'-0"

NOTICE: THIS DRAWING MAY REVEAL DESIGNS OR INFORMATION PROPRIETARY TO SEABRIDGE BATHING. BY ACCEPTANCE OF A REPRODUCTION, RECIPIENTS AGREE TO PROTECT SEABRIDGE BATHING'S RIGHTS AND ARE WARNED AGAINST USE OF THE DOCUMENT FOR ANY PURPOSE OTHER THAN THAT FOR WHICH IT WAS ISSUED.

DRN: wk	06/06/06	Seabridge BATHING	www.seabridgebathing.com		
DSND by:			TITLE		
CHK'D by:		Paradise Bath - 5 1/2' L.H. Door			
FILENAME					
PROJECT		SCALE	SHEET	DWG. NO. / PART NO.	REV.
		as noted	1 of 1	PA - B	0